



Special Features

Case & measuring system in SS
Static pressure up to 200 kg/cm² (on request)
Dry or liquid filled
Accuracy upto 1.6% F. S.
Standard followed in general EN 837-3
CE approved electrical contacts

Application

Chemicals	Power
Refinery	Cement
Nuclear	Sugar
Aerospace	Food & Beverages
Fertilizer	Pulp
Petrochemicals	Paper & allied Process Industries
Pharmaceutical	

Specifications

Standard Version : 100 mm & 150 mm

Accuracy	: ±1.6% of F.S. (For ascending order)
Ambient temperature	: - 25°C to + 65°C
Process temperature	: Max 100°C
Static pressure (on request)	: 10 kg/cm ² up to ranges 600 mmWC
	: 40 kg/cm ² for ranges 1000 mmWC to 2500 mmWC
	: 100 kg/cm ² for ranges 4000 mmWC & above
Over pressure limit	: 130% of Max. scale value

Case & Bezel	: AISI 304 SS (Bayonet Type)
Diaphragm	: AISI 316L SS (Double Diaphragm)
Nuts & Bolts	: AISI 304 SS
Process Connection	: Body : AISI 316 SS
	: Thread Connection : ¼" NPT (F) x 2 Nos.
Movement	: AISI 304 SS With Internal Limits stops for Min. & Max. Pressure

Protection	: IP 68
Dial	: Aluminium, black graduation on white background
Pointer	: Aluminium, black coloured, Micrometer Zero Adjustable
Window	: Shatterproof / Safety Glass
Case Gasket	: Neoprene
Element Chamber Filling	: Silicon Oil (Others on request)
Diaphragm Sealing Gasket	: Viton
Scale Amplitude	: 100° to 270° (Depends on Range)

Glycerine filled version (option LGF)

Accuracy	: ±2.5 % of F. S.(For ascending order)
Ambient Temperature	: Maximum 65°C
Process Temperature	: Maximum 65°C
Window	: Plexi Glass
Dampening Liquids	: Glycerine 99.7%
	: (others available as option)
Other Features	: Refer Specification of Standard Version

Electrical contacts - dry version

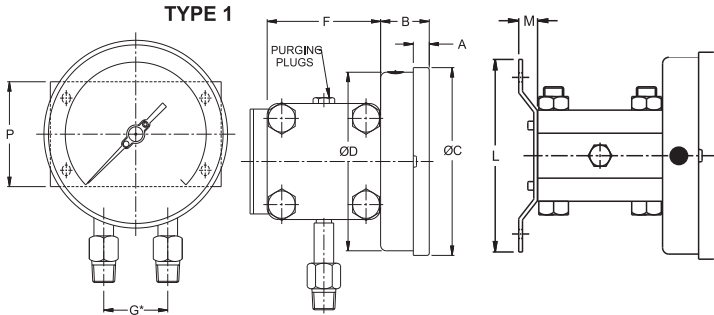
Accuracy	: ±2.5% of F. S.(For ascending order)
Ambient Temperature	: Maximum 65°C
Process Temperature	: Maximum 65°C
Window	: Polycarbonate Dome
Dampening Liquids	: Dielectric Oil (Optional)
Electrical Contacts*	: Refer How to Order
Other Features	: Refer Specification of Standard Version

* Please specify contact set points while ordering.

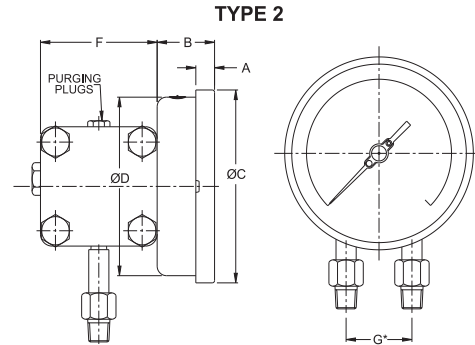
Temperature effect:

The variation of indication caused by effects of temperature is to be calculated by below formula; which is to be added in the specified accuracy while measurement :- Formula : $\pm 0.08 \times (t_2 - t_1) \%$ of F. S. where t_1 = reference temperature (+20°C) and t_2 = ambient temperature in °C.
Note : The addition of mechanical electric contacts affects the accuracy of instruments such that 1% becomes 1.5%, 1.6% becomes 2.4% etc. (Add the 50% of accuracy; If the contact is of the magnetically assisted type, this value can't be added within the ±5% of setting point.)

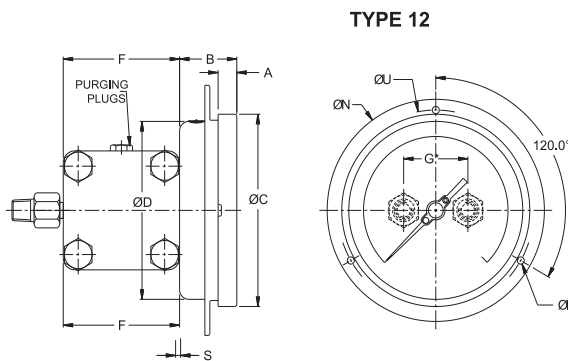
Dimensions - standard version



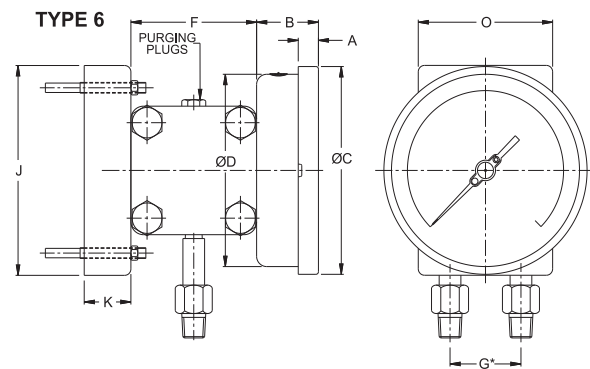
NS	A	B	ØC	ØD	F	G*	M	L	P	Weight in gram (With Box)
100	12.5	47	111	100	99	54	15	150	90	6450.0
150	15	49	161	149	99	54	15	150	90	6750.0



NS	A	B	ØC	ØD	F	G*	Weight in gram (With Box)
100	12.5	47	111	100	99	54	6150.0
150	15	49	161	149	99	54	6400.0



NS	A	B	ØC	ØD	S	ØI	ØN	ØU	F	G*	Weight in gram (With Box)
100	12.5	47	111	100	1	6	134	118	99	54	6250.0
150	15	49	161	149	1	6	186	168	99	54	6500.0



NS	A	B	ØC	ØD	F	G*	J	K	O	Weight in gram (With Box)
100	12.5	47	111	100	99	54	161	39	101	7250.0
150	15	49	161	149	99	54	161	39	101	7450.0

Notes : • Drawings are not to scale. • All Dimensions are in mm. • NS = Nominal Size. • *Connections shown in drawings are optional.

Range Table

Note : We offer Pressure, Vacuum and Compound ranges in Scales like kPa, MPa, bar, psi, kg/cm²& Dual Scale like kPa with psi, kPa with bar, bar with psi or scales as per the requirement can be provided on request. Following are the example tables for kg/cm²& psi scales

Pressure range (Single Scale)

Low Pressure		High Pressure	
mmWC	mmWC	kg/cm ²	kg/cm ²
0/600	0/2500	0/1	0/2.5
0/1000	0/4000	0/1.6	0/4
0/1600	0/6000	0/2	0/6

Note : Other Scale are available on customer request.

Accessories (refer datasheet for complete specifications)

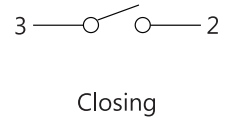
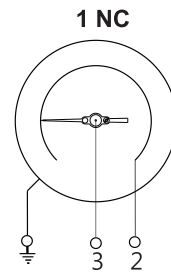
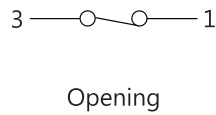
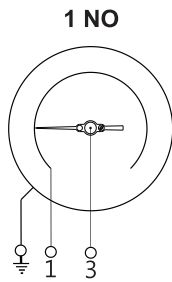
* Manifolds

* Refer catalogue for Valves & Manifolds

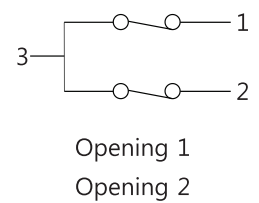
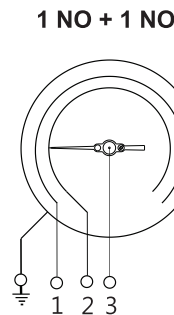
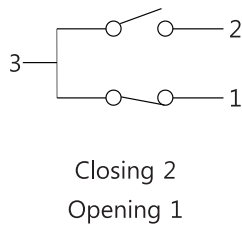
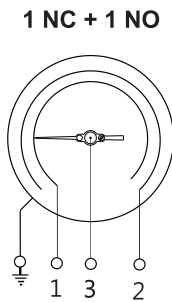
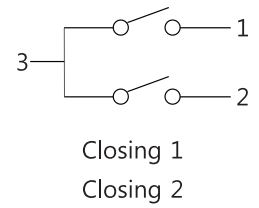
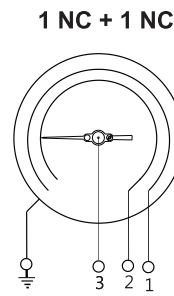
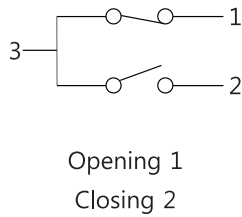
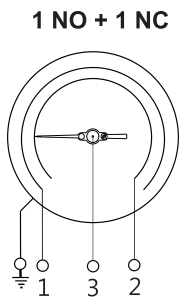
Electrical Contact Wiring Information

Wiring diagrams for electric contacts

Single Contact



Double contact



How To Order				Example
Basic Model				DD2
Code				
Nominal Size		40	60	X
		100 mm	150 mm	
Type of Mounting				
1	Wall / surface / projection mounting with bottom entry			
2	Direct bottom entry			X
6	2" pipe / yoke mounting bottom entry (mounting bracket will be provided of steel epoxy painted.)			OR
12	Center back entry with front flange (suitable for high pressure chamber only)			XX
Process Connection (* These connections are provided through adaptors.)				
4BM	¼" NPT (M) x ½" BSP (M) X 2 Nos. *	4BF	¼" NPT (M) x ½" BSP (F) X 2 Nos. *	XXX
4NM	¼" NPT (M) x ½" NPT (M) X 2 Nos. *	4NF	¼" NPT (M) x ½" NPT (F) X 2 Nos. *	
Note: 1) For selection of Diaphragm Seals, refer individual data sheets for Diaphragm Sealed. (The capillary length shall be maximum up to 3 meters & range shall be above 1 kg/cm ² .)				
Diaphragm				
SL	AISI 316L SS	MO	MONEL	XX
Central Chamber				
S4	AISI 304 SS (Standard)	S6	AISI 316 SS	XX
		MO	MONEL	
Side Chamber (wetted parts)				
S6	AISI 316 SS (Standard)	S4	AISI 304 SS	XX
		MO	MONEL	
Filling Fluid				
S1	SILICON DC 200 [-40 TO 205°C / -40 TO 401°F] (Standard)			XX
Range				
Refer range table				0/2 kg/cm ²
Options				
CBS	AISI 316 SS case & bezel	CNS	Conformity as per NACE Standard	XXX
LGF	Dampening liquid glycerine	TFC	Calibration certificate traceable to National/International standards	
LSI	Dampening liquid silicon oil**	MTC	Material test certificates#	
CDD	Custom designed dial	Py4	2" pipe/yoke mounting bracket (AISI 304 SS)	
TND	Dial tag marking	Py6	2" pipe/yoke mounting bracket (AISI 316 SS)	
STP	SS tag plate	DOF	Dielectric oil filled**	
MRP	Maximum reading pointer with plexi glass (for dry version)*			
* For ranges 2.5 kg/cm ² and above. ** Gasket & plug of Viton.				
# Material test certificates will be provided for wetted parts only with chemical composition testing. For others, Please consult factory				
Electric Contacts (CE Approved)				
(For dry version, with ingress protection up to IP 55 & poly carbonate dome as a window)				
A) Single insulated magnetic snap action type (230 V AC, 1 Amp.)(48 V DC, 0.5 Amp.) (Available for 1 kg/cm² & above)		B) Inductive type (220 V AC, 0.4 Amp.) (Available for 1000 mm WC & above)		
M1	Single; normally closed (1 NC)	D1	Single; normally open (1 NO)	XX
M2	Double; normally closed + normally open (1 NC + 1 NO)	D2	Single; normally closed (1 NC)	
M3	Single; normally open (1 NO)	D3	Double; normally closed + normally open (1 NC + 1 NO)	
M4	Double; normally open + normally closed (1 NO + 1 NC)	D4	Double; normally open (both NO)	
M5	Double; normally closed (both NC)	D5	Double; normally closed (both NC)	
M6	Double; normally open (both NO)	D6	Double; normally open + normally closed (1 NO + 1 NC)	

Ordering Example: DD2 - X - X OR XX - XXX - XX - XX - XX - XX - 0/2 kg/cm² XXX - XX

For other optional items, please contact factory for delivery and minimum quantity of order.

Note : Specifications and dimensions given in this product catalogue represents the state of engineering at the time of printing .

Modifications may take place and materials specified may be replaced by others without prior notice.